

e 905 High-quality dynamic instrument microphone

FEATURES

- Impressive and full sound
- Very fast attack
- Short microphone body to facilitate optimal positioning by drums
- Integral stand mount
- Hum compensating coil
- Sturdy reinforced aluminium body
- Extremely rugged sound inlet basket, replaceable
- Shock-mounted capsule

The cardioid **e 905** has a high maximum SPL and an excellent transient response, suitable for a wide range of instruments and an ideal choice for snare drums.



ARCHITECT'S SPECIFICATIONS

The microphone shall be a dynamic cardioid designed for use with a wide range of instruments. It shall have a sturdy aluminium body with an integral stand mount and an extremely rugged, replaceable sound inlet basket. The microphone shall have a shock-mounted capsule and shall be fitted with a hum compensating coil. The frequency response shall be 40 Hz – 18,000 Hz and the sensitivity (free field, no load) shall be 2.6 mV/Pa at 1 kHz. Nominal impedance shall be 350 Ω, with a min. terminating impedance of 1 kΩ. The microphone shall provide a 3-pin XLR connector. Dimensions shall be 41 x 116 mm (1.61" x 4.57"). Weight shall be 210 grams (7.40 oz). The microphone shall be the Sennheiser e 905.

TECHNICAL DATA

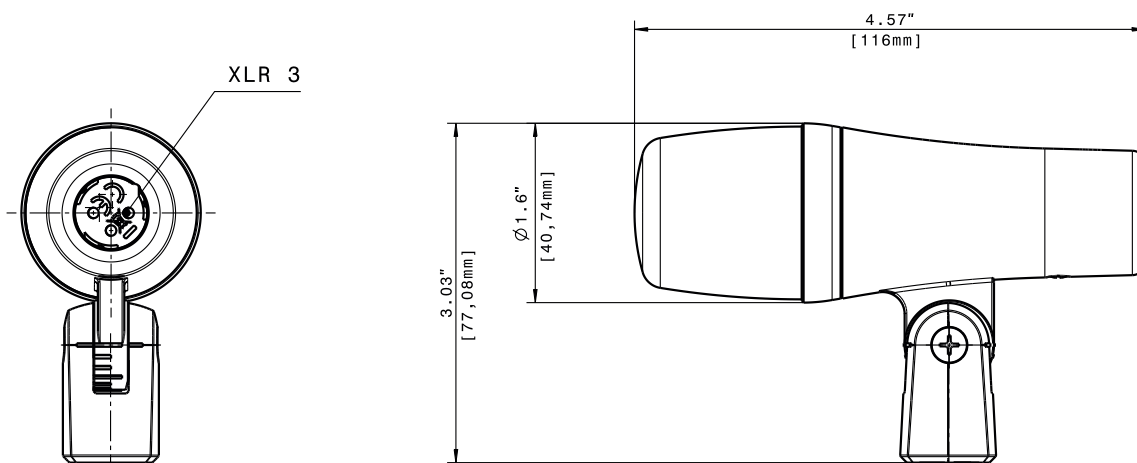
Transducer principle	dynamic
Pick-up pattern.....	cardioid
Frequency response	40.....18,000 Hz
Sensitivity (free field, no load at 1 kHz)	2.6 mV/Pa
Nominal impedance.....	350 Ohm
Min. terminating impedance	1000 Ohm
Connector.....	XLR-3
Dimensions	116 x 41 mm
Weight.....	210 g

DELIVERY INCLUDES

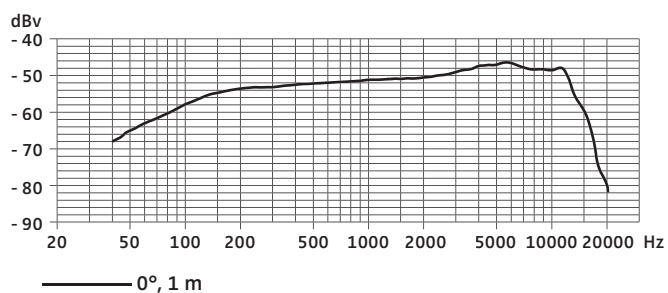
- 1 e 905
- 1 MZH 604 drum clamp
- 1 pouch
- Instructions for use

e 905 High-quality dynamic instrument microphone

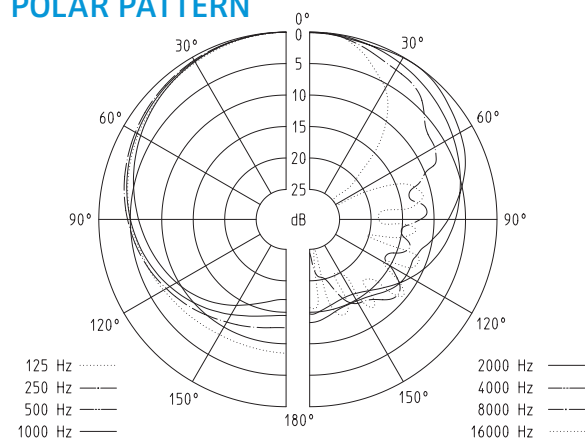
DIMENSIONS



FREQUENCY RESPONSE



POLAR PATTERN



Sennheiser electronic GmbH & Co. KG
 Am Labor 1, 30900 Wedemark, Germany
www.sennheiser.com

